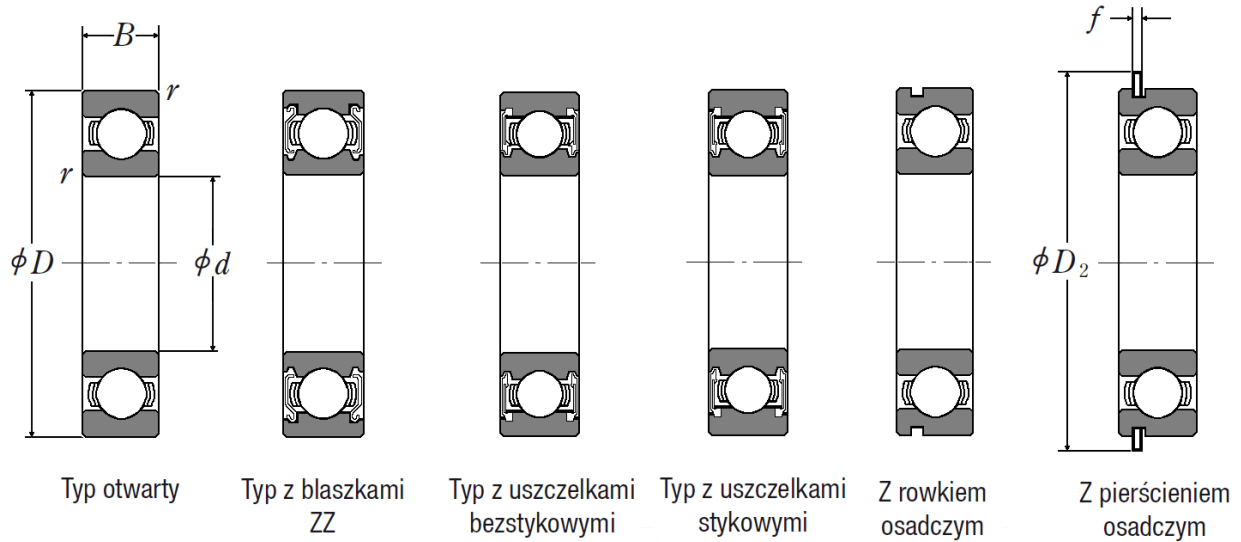


**SERIA 16000**

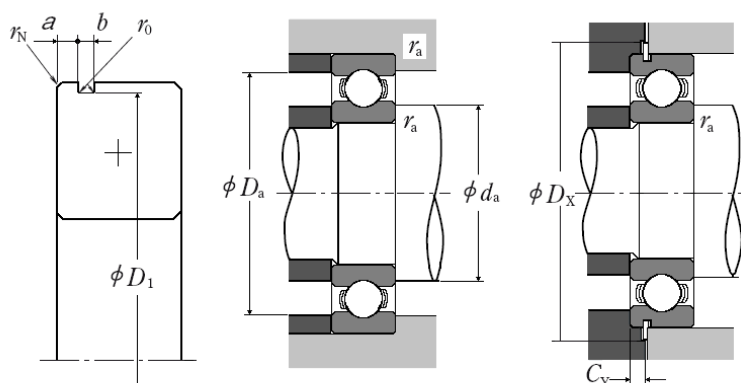


| Oznaczenie łożyska | Wymiary główne (mm) |     |    |     | Graniczne prędkości obrotowe (min) |                  |           | Nośność bazowa |                 |                |                 |
|--------------------|---------------------|-----|----|-----|------------------------------------|------------------|-----------|----------------|-----------------|----------------|-----------------|
|                    | d                   | D   | B  | r   | Smar                               |                  | Olej      | (N)            |                 | {kgf}          |                 |
|                    |                     |     |    |     | Otwarte Z-ZZ<br>V-VV               | DU<br>DDU<br>2RS | Otwarte Z | C <sub>r</sub> | C <sub>0r</sub> | C <sub>r</sub> | C <sub>0r</sub> |
| <b>16001</b>       | 12                  | 28  | 7  | 0,3 | 28000                              | -                | 32000     | 5100           | 2370            | 520            | 241             |
| <b>16002</b>       | 15                  | 32  | 8  | 0,3 | 24000                              | -                | 28000     | 5600           | 2830            | 570            | 289             |
| <b>16003</b>       | 17                  | 35  | 8  | 0,3 | 22000                              | -                | 26000     | 6000           | 3250            | 610            | 330             |
| <b>16004</b>       | 20                  | 42  | 8  | 0,3 | 18000                              | -                | 20000     | 7900           | 4450            | 810            | 455             |
| <b>16005</b>       | 25                  | 47  | 8  | 0,3 | 15000                              | -                | 18000     | 8850           | 5600            | 905            | 570             |
| <b>16006</b>       | 30                  | 55  | 9  | 0,3 | 13000                              | -                | 15000     | 11200          | 7350            | 1150           | 750             |
| <b>16007</b>       | 35                  | 62  | 9  | 0,3 | 11000                              | -                | 13000     | 11700          | 8200            | 1190           | 835             |
| <b>16008</b>       | 40                  | 68  | 9  | 0,3 | 10000                              | -                | 12000     | 12600          | 9650            | 1290           | 985             |
| <b>16009</b>       | 45                  | 75  | 10 | 0,6 | 9000                               | -                | 11000     | 14900          | 11400           | 1520           | 1160            |
| <b>16010</b>       | 50                  | 80  | 10 | 0,6 | 8500                               | -                | 10000     | 15400          | 12400           | 1570           | 1260            |
| <b>16011</b>       | 55                  | 90  | 11 | 0,6 | 7500                               | -                | 9000      | 19400          | 16300           | 1980           | 1660            |
| <b>16012</b>       | 60                  | 95  | 11 | 0,6 | 7100                               | -                | 8500      | 20000          | 17500           | 2040           | 1780            |
| <b>16013</b>       | 65                  | 100 | 11 | 0,6 | 6700                               | -                | 8000      | 20500          | 18700           | 2090           | 1910            |
| <b>16014</b>       | 70                  | 110 | 13 | 0,6 | 6000                               | -                | 7100      | 26800          | 23600           | 2730           | 2410            |
| <b>16015</b>       | 75                  | 115 | 13 | 0,6 | 5600                               | -                | 6700      | 27600          | 25300           | 2820           | 2580            |

|              |     |     |    |     |      |   |      |        |        |       |       |
|--------------|-----|-----|----|-----|------|---|------|--------|--------|-------|-------|
| <b>16016</b> | 80  | 125 | 14 | 0,6 | 5300 | - | 6300 | 32000  | 29600  | 3250  | 3000  |
| <b>16017</b> | 85  | 130 | 14 | 0,6 | 5000 | - | 6000 | 33000  | 31500  | 3350  | 3200  |
| <b>16018</b> | 90  | 140 | 16 | 1   | 4800 | - | 5600 | 41500  | 39500  | 4250  | 4000  |
| <b>16019</b> | 95  | 145 | 16 | 1   | 4500 | - | 5300 | 43000  | 42000  | 4350  | 4250  |
| <b>16020</b> | 100 | 150 | 16 | 1   | 4300 | - | 5300 | 42500  | 42000  | 4300  | 4300  |
| <b>16021</b> | 105 | 160 | 18 | 1   | 4000 | - | 4800 | 52000  | 50500  | 5300  | 5150  |
| <b>16022</b> | 110 | 170 | 19 | 1   | 3800 | - | 4500 | 57500  | 56500  | 5850  | 5800  |
| <b>16024</b> | 120 | 180 | 19 | 1   | 3600 | - | 4300 | 56500  | 57500  | 5800  | 5850  |
| <b>16026</b> | 130 | 200 | 22 | 1,1 | 3000 | - | 3600 | 75500  | 77500  | 7700  | 7900  |
| <b>16028</b> | 140 | 210 | 22 | 1,1 | 2800 | - | 3400 | 77500  | 82500  | 7900  | 8400  |
| <b>16030</b> | 150 | 225 | 24 | 1,1 | 2600 | - | 3000 | 84000  | 91000  | 8550  | 9250  |
| <b>16032</b> | 160 | 240 | 25 | 1,5 | 2400 | - | 2800 | 99000  | 108000 | 10100 | 11000 |
| <b>16034</b> | 170 | 260 | 28 | 1,5 | 2200 | - | 2600 | 114000 | 126000 | 11700 | 12900 |
| <b>16036</b> | 180 | 280 | 31 | 2   | 2000 | - | 2400 | 145000 | 157000 | 14700 | 16000 |
| <b>16038</b> | 190 | 290 | 31 | 2   | 2000 | - | 2400 | 149000 | 168000 | 15200 | 17100 |
| <b>16040</b> | 200 | 310 | 34 | 2   | 1900 | - | 2200 | 161000 | 180000 | 16400 | 18300 |
| <b>16044</b> | 220 | 340 | 37 | 2,1 | 1600 | - | 2000 | 180000 | 217000 | 18400 | 22100 |
| <b>16048</b> | 240 | 360 | 37 | 2,1 | 1500 | - | 1900 | 196000 | 243000 | 19900 | 24700 |
| <b>16052</b> | 260 | 400 | 44 | 3   | 1400 | - | 1700 | 237000 | 310000 | 24100 | 31500 |
| <b>16056</b> | 280 | 420 | 44 | 3   | 1300 | - | 1600 | 243000 | 330000 | 24700 | 33500 |
| <b>16060</b> | 300 | 460 | 50 | 4   | 1200 | - | 1400 | 285000 | 405000 | 29000 | 41000 |
| <b>16064</b> | 320 | 480 | 50 | 4   | 1100 | - | 1300 | 293000 | 430000 | 29800 | 44000 |

\* - Informacje zawarte w tabeli są informacjami poglądowymi, za które firma DORMET nie odpowiada.

## Wymiary zabudowy, rowka pierścienia, pierścienia osadczego



**Dynamiczne obciążenie równoważne**

$$P = XF_r + YF_a$$

| $\frac{f_0 F_a}{C_{0r}}$ | $e$  | $\frac{F_a}{F_r} \leq e$ |   | $\frac{F_a}{F_r} > e$ |      |
|--------------------------|------|--------------------------|---|-----------------------|------|
|                          |      | X                        | Y | X                     | Y    |
| 0.172                    | 0.19 | 1                        | 0 | 0.56                  | 2.30 |
| 0.345                    | 0.22 | 1                        | 0 | 0.56                  | 1.99 |
| 0.689                    | 0.26 | 1                        | 0 | 0.56                  | 1.71 |
| 1.03                     | 0.28 | 1                        | 0 | 0.56                  | 1.55 |
| 1.38                     | 0.30 | 1                        | 0 | 0.56                  | 1.45 |
| 2.07                     | 0.34 | 1                        | 0 | 0.56                  | 1.31 |
| 3.45                     | 0.38 | 1                        | 0 | 0.56                  | 1.15 |
| 5.17                     | 0.42 | 1                        | 0 | 0.56                  | 1.04 |
| 6.89                     | 0.44 | 1                        | 0 | 0.56                  | 1.00 |

**Statyczne obciążenie równoważne**

$$\frac{F_a}{F_r} > 0.8, P_0 = 0.6F_r + 0.5F_a$$

$$\frac{F_a}{F_r} \leq 0.8, P_0 = F_r$$

| Wymiary | N | NR | Wymiary rowka pierścienia osadczego (mm) |          |                       |                       |                       | Wymiary pierścienia osadczego (mm) |          | Wymiary zabudowy (mm) |     |                       |                       |                       |                       |
|---------|---|----|--|----------|-----------------------|-----------------------|-----------------------|------------------------------------|----------|-----------------------|-----|-----------------------|-----------------------|-----------------------|-----------------------|
|         |   |    | a<br>max                                 | b<br>min | D <sub>1</sub><br>max | r <sub>0</sub><br>max | r <sub>N</sub><br>min | D <sub>2</sub><br>max              | f<br>max | d <sub>a</sub>        |     | D <sub>a</sub><br>max | r <sub>a</sub><br>max | D <sub>x</sub><br>min | C <sub>y</sub><br>max |
|         |   |    |  |          |                       |                       |                       |                                    |          | min                   | max |                       |                       |                       |                       |
| 16001   | - | -  | -  | -        | -                     | -                     | -                     | -                                  | -        | 14                    | -   | 26                    | 0,3                   | -                     | -                     |
| 16002   | - | -  | -  | -        | -                     | -                     | -                     | -                                  | -        | 17                    | -   | 30                    | 0,3                   | -                     | -                     |
| 16003   | - | -  | -  | -        | -                     | -                     | -                     | -                                  | -        | 19                    | -   | 33                    | 0,3                   | -                     | -                     |
| 16004   | - | -  | -  | -        | -                     | -                     | -                     | -                                  | -        | 22                    | -   | 40                    | 0,3                   | -                     | -                     |
| 16005   | - | -  | -  | -        | -                     | -                     | -                     | -                                  | -        | 27                    | -   | 45                    | 0,3                   | -                     | -                     |
| 16006   | - | -  | -  | -        | -                     | -                     | -                     | -                                  | -        | 32                    | -   | 53                    | 0,3                   | -                     | -                     |
| 16007   | - | -  | -  | -        | -                     | -                     | -                     | -                                  | -        | 37                    | -   | 60                    | 0,3                   | -                     | -                     |
| 16008   | - | -  | -  | -        | -                     | -                     | -                     | -                                  | -        | 42                    | -   | 66                    | 0,3                   | -                     | -                     |
| 16009   | - | -  | -  | -        | -                     | -                     | -                     | -                                  | -        | 49                    | -   | 71                    | 0,6                   | -                     | -                     |
| 16010   | - | -  | -  | -        | -                     | -                     | -                     | -                                  | -        | 54                    | -   | 76                    | 0,6                   | -                     | -                     |
| 16011   | - | -  | -  | -        | -                     | -                     | -                     | -                                  | -        | 59                    | -   | 86                    | 0,6                   | -                     | -                     |
| 16012   | - | -  | -  | -        | -                     | -                     | -                     | -                                  | -        | 64                    | -   | 91                    | 0,6                   | -                     | -                     |
| 16013   | - | -  | -  | -        | -                     | -                     | -                     | -                                  | -        | 69                    | -   | 96                    | 0,6                   | -                     | -                     |

|              |   |   |   |   |   |   |   |   |   |       |   |       |     |   |   |
|--------------|---|---|---|---|---|---|---|---|---|-------|---|-------|-----|---|---|
| <b>16014</b> | - | - | - | - | - | - | - | - | - | 74    | - | 106   | 0,6 | - | - |
| <b>16015</b> | - | - | - | - | - | - | - | - | - | 79    | - | 111   | 0,6 | - | - |
| <b>16016</b> | - | - | - | - | - | - | - | - | - | 84    | - | 121   | 0,6 | - | - |
| <b>16017</b> | - | - | - | - | - | - | - | - | - | 89    | - | 126   | 0,6 | - | - |
| <b>16018</b> | - | - | - | - | - | - | - | - | - | 95    | - | 135   | 1   | - | - |
| <b>16019</b> | - | - | - | - | - | - | - | - | - | 100   | - | 140   | 1   | - | - |
| <b>16020</b> | - | - | - | - | - | - | - | - | - | 105   | - | 145   | 1   | - | - |
| <b>16021</b> | - | - | - | - | - | - | - | - | - | 110   | - | 155   | 1   | - | - |
| <b>16022</b> | - | - | - | - | - | - | - | - | - | 115   | - | 165   | 1   | - | - |
| <b>16024</b> | - | - | - | - | - | - | - | - | - | 125   | - | 175   | 1   | - | - |
| <b>16026</b> | - | - | - | - | - | - | - | - | - | 136,5 | - | 193,5 | 1   | - | - |
| <b>16028</b> | - | - | - | - | - | - | - | - | - | 146,5 | - | 203,5 | 1   | - | - |
| <b>16030</b> | - | - | - | - | - | - | - | - | - | 156,5 | - | 218,5 | 1   | - | - |
| <b>16032</b> | - | - | - | - | - | - | - | - | - | 168   | - | 232   | 1,5 | - | - |
| <b>16034</b> | - | - | - | - | - | - | - | - | - | 178   | - | 252   | 1,5 | - | - |
| <b>16036</b> | - | - | - | - | - | - | - | - | - | 189   | - | 271   | 2   | - | - |
| <b>16038</b> | - | - | - | - | - | - | - | - | - | 199   | - | 281   | 2   | - | - |
| <b>16040</b> | - | - | - | - | - | - | - | - | - | 209   | - | 301   | 2   | - | - |
| <b>16044</b> | - | - | - | - | - | - | - | - | - | 231   | - | 329   | 2   | - | - |
| <b>16048</b> | - | - | - | - | - | - | - | - | - | 251   | - | 349   | 2   | - | - |
| <b>16052</b> | - | - | - | - | - | - | - | - | - | 273   | - | 387   | 2,5 | - | - |
| <b>16056</b> | - | - | - | - | - | - | - | - | - | 293   | - | 407   | 2,5 | - | - |
| <b>16060</b> | - | - | - | - | - | - | - | - | - | 316   | - | 444   | 3   | - | - |
| <b>16064</b> | - | - | - | - | - | - | - | - | - | 336   | - | 464   | 3   | - | - |

\* - Informacje zawarte w tabeli są informacjami poglądowymi, za które firma DORMET nie odpowiada.